



Vehicle Access Control
Pedestrian Access Control
Safety & Security Equipment

T +61 7 3205 1123

www.rotech.com.au

e: info@rotech.com.au

SENTINEL H23 SWING GATE

User Manual (0717)





RECOMMENDATIONS REGARDING THE OPERATING AND MAINTENANCE BOOKLET

This operating and maintenance booklet is an integral part of the product and must be given to the user. Carefully keep this operating and maintenance booklet together with all other information.

FOR YOUR SAFETY

Carefully read the warnings and recommendations given in this booklet, since they provide important information regarding safe use and maintenance, regardless of whether you have previous experience with the same model or not.

SYMBOLS

-  Referred to information that must be read for your own safety and that of others and to avoid damage to property.
-  Referred to recommendations for recycling.

PLEASE DO NOT HESITATE TO GET IN TOUCH WITH ROTECH GROUP PTY LTD FOR FURTHER EXPLANATIONS OR ADVICE** SPECIAL WARNINGS FOR THE USER**

This operating and maintenance guide gives instructions for the user.

A series of special warnings for the user are given and we recommend that you read them to ensure correct operation and routine maintenance.

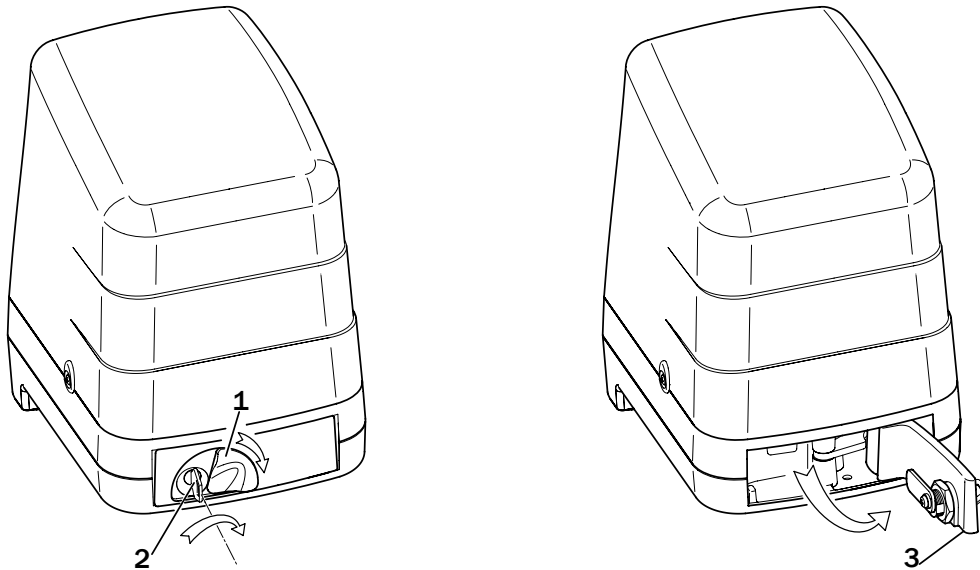
 PERIODIC MAINTENANCE

The electromechanical actuator is part of an automatic gate/door opening and closing system. Since the automation may be remote controlled, to guarantee its efficiency and correct operation it must be maintained by professionally qualified persons.

Once every 6 months have the efficiency of the automation, the safety devices, the earth connection and the release system checked, carrying out a complete manual movement cycle.

 LIST OF SPECIAL WARNINGS FOR THE USER

Avoid working near hinges or moving mechanical parts that could create hazardous situations because of the ease with which they can catch on parts of the body or clothing and the difficulty in freeing them. It should be remembered that this equipment can produce very high levels of force, which could be a source of danger. Do not enter within the radius of action of the gate while it is moving. Wait until it has come to a complete stop: a moving gate can be extremely dangerous for those who come within its radius of action. Only activate the gate when it is fully visible and free of obstacles. Do not allow children or animals to play or loiter near the radius of action of the gate. Do not allow children to play with the opening controls or the remote controls. Do not oppose gate movement, since it could create a hazard. Make sure that all users of the gate are acquainted with these warnings, displaying them in a suitable place if necessary. In the event of malfunction, only contact professionally qualified persons.

MANUAL RELEASE OR OVERRIDE PROCEDURE**GB MANUAL OPERATION OR OVERRIDE**


Please learn the emergency release procedure as described and make sure that all users of the automatic installation are acquainted with it.

-  Caution: before carrying out manual operation or override, disconnect the equipment from the electricity supply



MANUAL OPERATION AND RELEASE

Move the lock cover back as shown by point 1, insert the key provided, turn it clockwise by 90° as shown by point 2, initially pull with the key and then with the lever until reaching the self-holding position, as shown by point 3. Manually open or close the gate by pulling or pushing it.

AUTOMATIC OPERATION RESET

-  Caution: when resetting automatic operation with the release lever, handle with due care as fingers could be crushed or entrapped. Reclose the lever with the provided key inserted and turned clockwise by 90°. Upon reaching the initial position of the lever, turn the key counter-clockwise, take out the key and close the lock cover. Reconnect the installation to the electricity supply.

DEMOLITION AND DISPOSAL

-  The actual automation presents no particular risks.
-  Separate the various components if possible for recycling (aluminium, iron, electrical parts, etc.)

All data have been very carefully checked, but we cannot be held liable for any errors or omissions.

Data are not binding: in line with its continual product improvement policy the company reserves the right to change the contents of this booklet